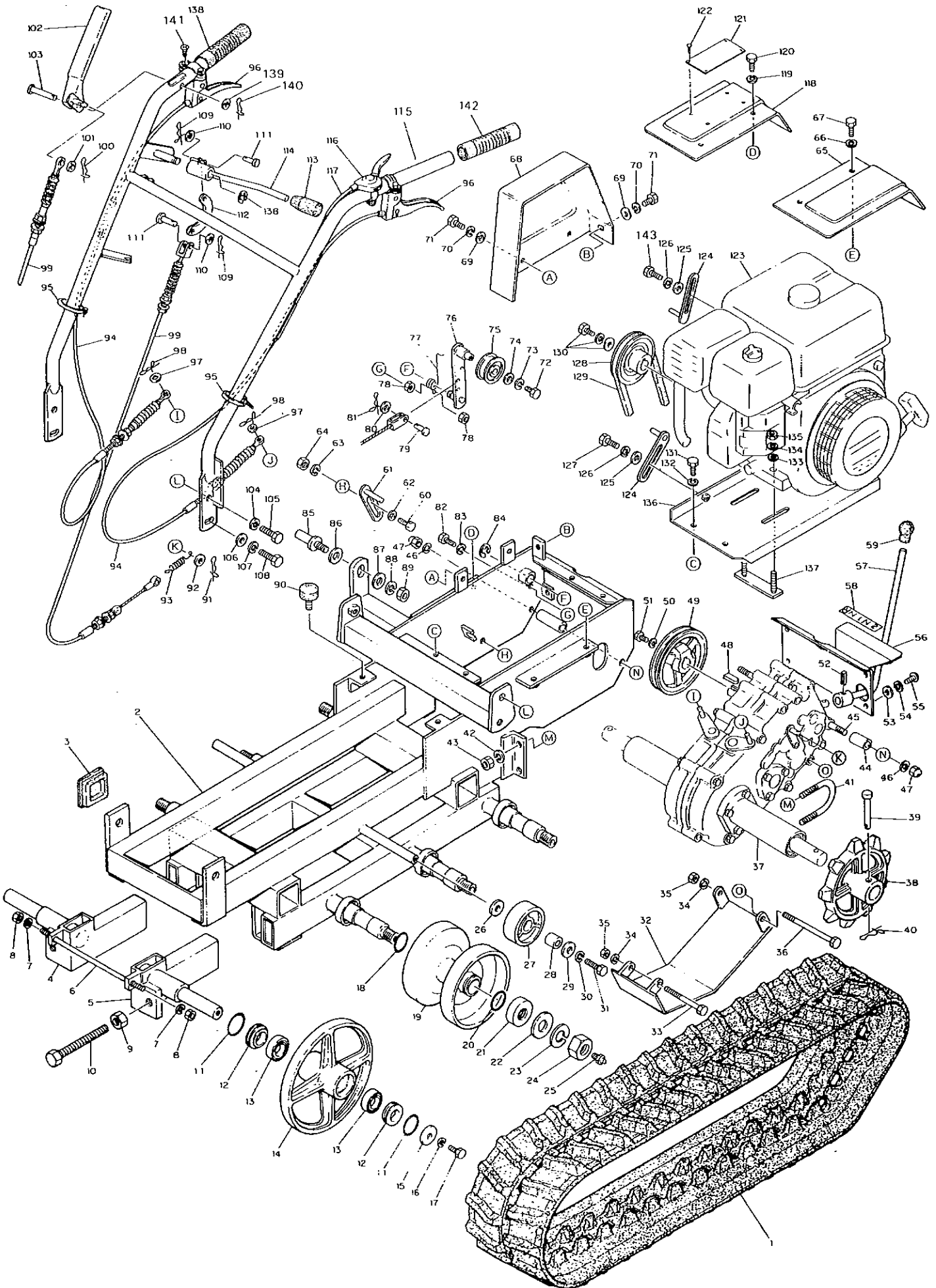


CRAWLER CARRIER

SC-160D

PARTS LIST

CRAWLER



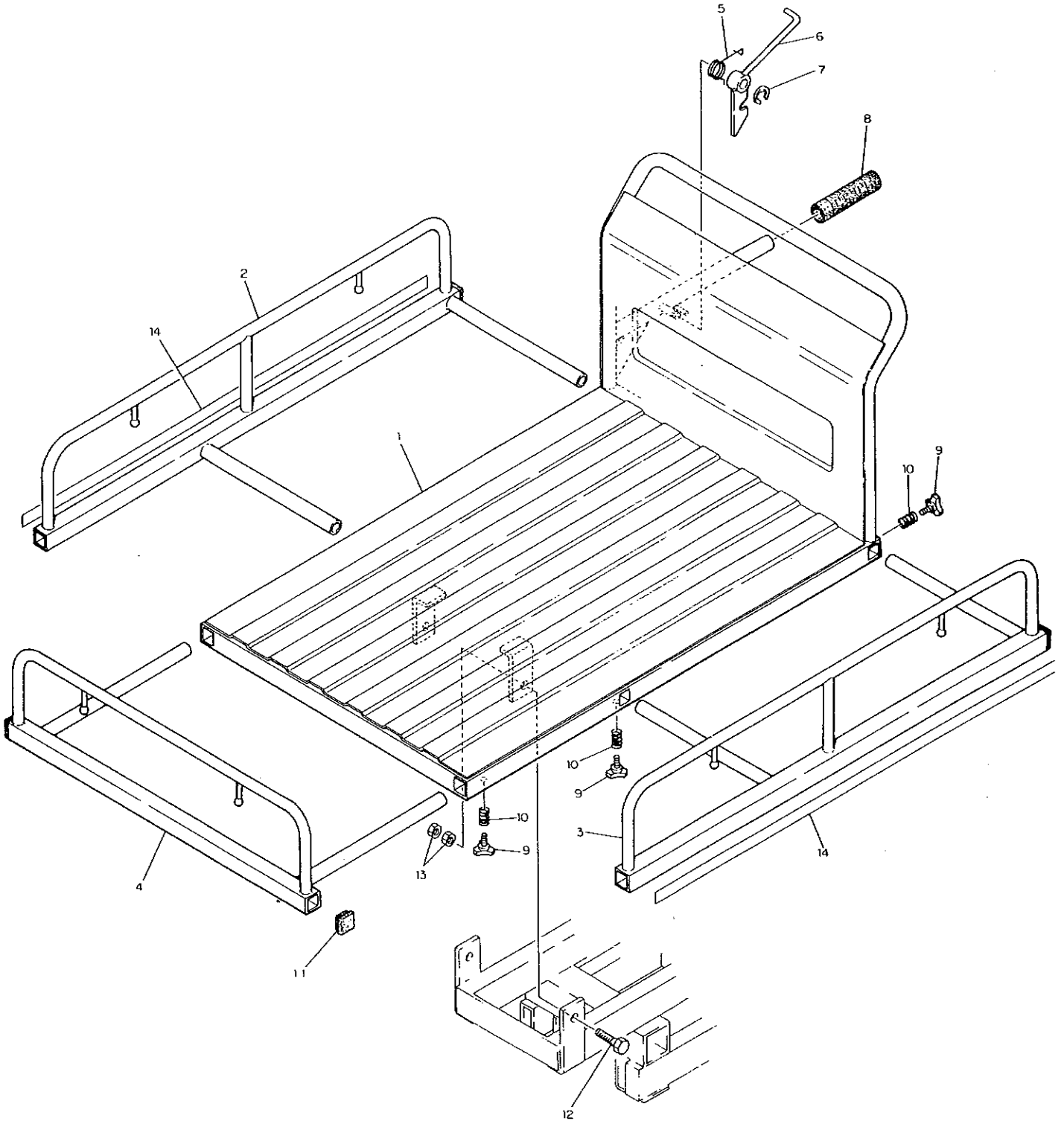
	Part Code	Part Name			
1	6886030000	Rubber Crawler	2		180 W × 36 L × 60 P
2	6882250000	Frame	1		
3	6886230000	Rubber Cap	4		60 × 60 × 3.2
4	6881150000	Front Wheel Shaft (R)	1		
5	6881150010	Front Wheel Shaft (L)	1		
6	6881200000	Front Wheel Shafts Connecting Bolt	1		
7	0027100008	Lock Washer	2		M8
8	0026100008	Flat Washer	2		M8
9	0020100016	Nut	2		M16
10	0192016130	Bolt	2		8 T M16 × 130
11	0052300450	O-Ring	4		G45
12	6016511000	Anti-Dust Collar	4		
13	0040146005A	Bearing	4		# 6005 (2 N S)
14	6011530000 ^Δ	Front Wheel	2		
15	6030201000	Flat Washer	2		
16	0027100010	Lock Washer	2		M10
17	0010101020	Bolt	2		M10 × 20
18	0052100360	O-Ring	6		P36
19	6011550000 ^Δ	Free Wheel	6		
20	0052100360	O-Ring	6		P36
21	6061591000	Anti-Dust Cap	6		
22	0026100020	Flat Washer	6		M20
23	0027100020	Lock Washer	6		M20
24	0020200020	Nut	6		M20 P 1.5
25	0060660000	Grease Nipple	6		¼ - 28 UN F
26	6152201010	Washer	2		
27	6376520000	φ78 Roller	2		
28	6881150020	Rolling Wheel Shaft	2		
29	6152201010	Washer	2		
30	0027100008	Lock Washer	2		M8
31	0010000018	Bolt	2		M8 × 40
32	6032342000	Splash Cover	1		
33	0010100885	Bolt	1		M8 × 85
34	0027100008	Lock Washer	2		M8
35	0020100008	Nut	2		M8
36	00101008125	Bolt	1		M8 × 125
37	6886012000	Transmission	1		
38	6881130000	Drive Wheel	2		
39	0031319803	Flat Head Pin	2		φ10 × 60 (54)

	Part Code	Part Name			
40	0031100010	Stopper Pin	2		$\phi 10 \times \phi 2$
41	4222696000 [△]	U-Bolt	2		
42	0027100010	Lock Washer	4		M10
43	0020100010	Nut	4		M10
44	6882050000	Collar	2		
45	6882200010	Bolt (Transmission)	1		
46	0027100010	Lock Washer	2		M10
47	0024509801	Cap Nut	2		M10 3
48	0034105520	Key	1		5 × 5 × 20
49	6882330010	Input Shaft Pulley	1		
50	0027100006	Lock Washer	1		M6
51	0010100616	Bolt	1		M6 × 16
52	0030300525	Spring Pin	1		$\phi 5 \times 25$
53	0026100006	Flat Washer	4		M6
54	0027100006	Lock Washer	4		M6
55	0015100616	Flat Head Screw	4		M6 × 16
56	6882730000	Cover (Transmission)	1		
57	6882450000	Changer (Gear Select)	1		
58	6886061000	Gear Indicator Plate	1		
59	6066030030	Grip	1		$\phi 12$ 用
60	0010100820	Bolt	1		M8 × 20
61	6062370010	Belt Guide	1		
62	0026100008	Flat Washer	1		M8
63	0027100008	Lock Washer	1		M8
64	0020100008	Nut	1		M8
65	6492350010	Fender (Left)	1		
66	0027100008	Lock Washer	2		M8
67	0010100816	Bolt	2		M8 × 16
68	6496520000	Belt Cover	1		FRP
69	0026100008	Flat Washer	3		M8
70	0027100008	Lock Washer	3		M8
71	0010100816	Bolt	3		M8 × 16
72	0010100616	Bolt	1		M6 × 16
73	0027100006	Lock Washer	1		M6
74	6066070000	Washer	1		
75	6066110000	Tension Pulley	1		55T 1
76	6492280000	Drive Tension Arm	1		
77	8052100010	Spring	1		
78	0020100008	Nut	2		M8

	Part Code	Part Name			
79	6066080000	Flat Head Pin	1		
80	0026100006	Flat Washer	1		M6
81	0031199006	Stopper Pin	1		φ 6
82	0100000015	Bolt	1		M8 × 25
83	0027100008	Lock Washer	1		M8
84	0036800012	Stop Ring	1		E12
85	6062070010	Dump Hook Fixing Screw	1		
86	0026100012	Flat Washer	1		M12
87	0026100012	Flat Washer	1		M12
88	0027100012	Lock Washer	1		M12
89	0020100008	Nut	1		M12
90	6376512000 ^Δ	Rubber Mount	2		
91	0031199006	Stopper Pin	1		φ 6
92	0026100006	Flat Washer	1		M6
93	6062105000	Spring	2		
94	6886070010	Side Clutch Wire	2		8240802
95	6036280000	Fastening Band	4		150 mm
96	6496130000	Clutch Lever	2		
97	0026100006	Flat Washer	2		M6
98	0031199006	Stopper Pin	2		φ 6
99	6886070000	Drive Brake Wire	2		8240801
100	0031199006	Stopper Pin	1		φ 6
101	0026100006	Flat Washer	1		M6
102	6496130600	(Deadman) Clutch Lever	1		
103	0031310640	Flat Head Pin	1		φ 6 × 43 (40)
104	0027100010	Lock Washer	2		M10
105	0010101025	Bolt	2		M10 × 25
106	0026100012	Flat Washer	2		M12
107	0027100012	Lock Washer	2		M12
108	0010101225	Bolt	2		M12 × 25
109	0031199006	Stopper Pin	1		φ 6
110	0026100006	Flat Washer	1		M6
111	6066080000	Flat Head Pin	2		
112	6152400000	Rod	1		
113	8016030000	Grip	1		φ 10
114	7772090000	Rotary Lever	1		
115	6882410000	Handle	1		
116	6066132000	Throttle Lever	1		
117	6066043000	Throttle Wire	1		

	Part Code	Part Name			
118	6494350600	Fender (R)	1		
119	0027100008	Lock Washer	2		M8
120	0010100816	Bolt	2		M8 × 16
121	6886530000	Name Plate	1		
122	0000000410	Pop Rivet	4		TAP/D (41) BS
123	6796003000	Engine	1		Mitsubishi GM180LN
124	7212370020	Belt Guide	3		
125	0026100008	Flat Washer	3		M8
126	0027100008	Lock Washer	3		M8
127	0010100820	Bolt	2		M8 × 20
128	6882330000	Pulley (Engine)	1		
129	0080300030	V-Belt	1		B-30
130		Bolt Set	1		
131	0010100820	Bolt	4		M8 × 20
132	0027100008	Lock Washer	4		M8
133	0026100008	Flat Washer	4		M8
134	0027100008	Lock Washer	4		M8
135	0020100008	Nut	4		M8
136	6882340000	Engine Base	1		
137	7442070000	Engine Hold-Down Bolt	2		
138	0036800012	Grip	1		E12
139	0026100006	Flat Washer	1		M6
140	0031199006	Stopper Pin	1		φ 6
141	0100000192	Flat Head Screw	2		M6 × 25
142	6066030000	Grip	2		φ 26
143	0010100816	Bolt	1		M8 × 16

DECK



	Part Code	Part Name		
1	649260000 [△]	Deck	1	
2	649263001 [△]	Deck Rail (R)	1	
3	649263002 [△]	Deck Rail (L)	1	
4	649263000	Front Rail	1	
5	606210404	Spring (Hook Return)	1	
6	606239300	Dump Hook	1	
7	0036800012	Stop Ring	1	
8	727603000	Grip	1	OGK#M-8 φ 25.4 × 120
9	0100000108	Knob Bolt	6	M8 × 15
10	6492100020	Knob Bolt Spring	6	
11	6056210000	Rubber Cap	6	32
12	0010111450	Bolt	2	8 T M14 × 45
13	0020100014	Nut	4	M14
14	6886060000	Unit Identifying Marks	2	

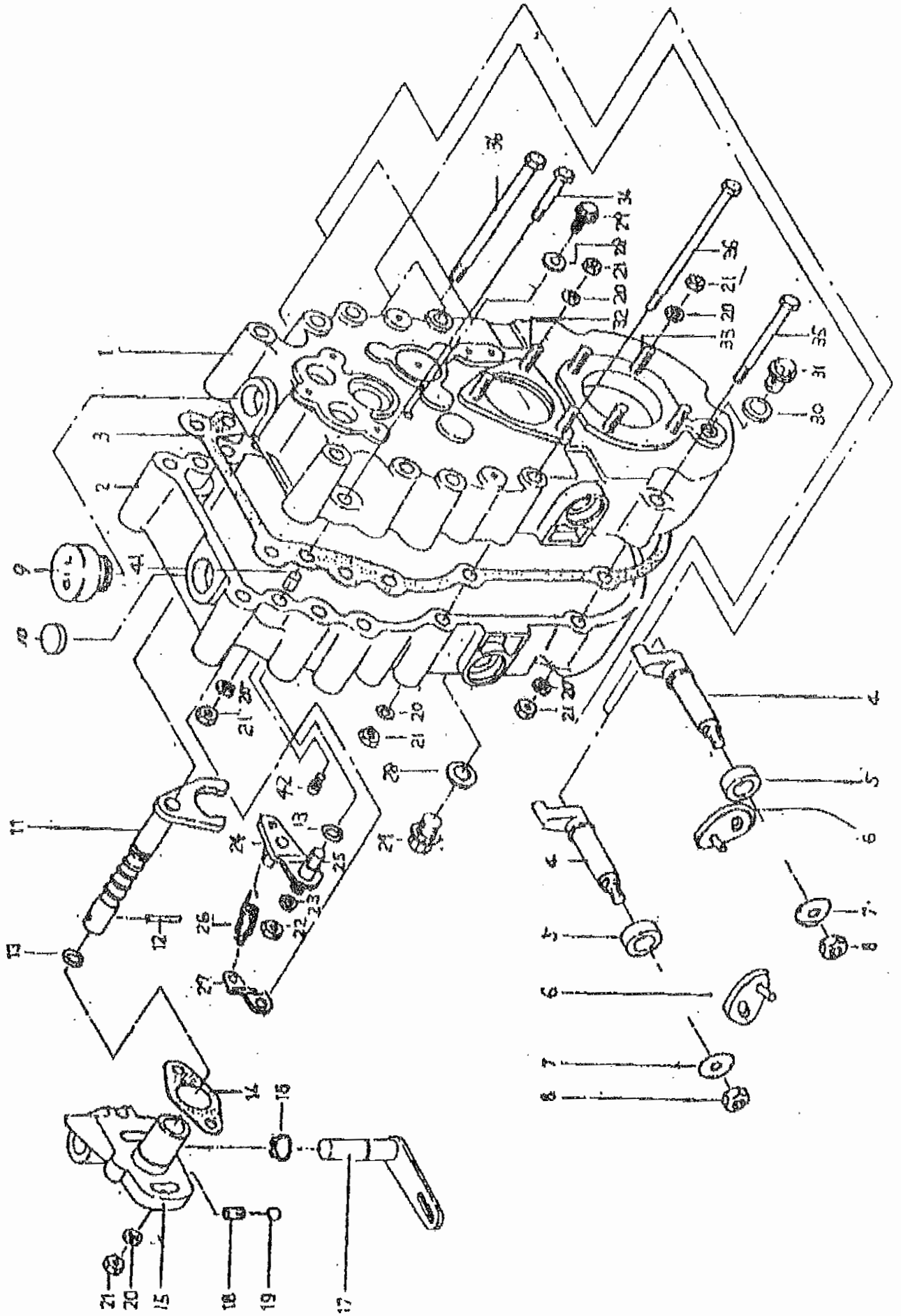
TRANSMISSION PARTS LIST

TYPE FE11BG07

FOR SC160D

SATO MFG CO., LTD.

TRANSMISSION OUTER



TRANSMISSION OUTER

Item NO	PARTS CODE NO.	PARTS NAME	Q'ty
1	2111-720741	CASE L 4-2 L	1
2	2111-784914	CASE R 4-2 R	1
3	2153-601219	PACKING (CASE) 11°×2 (4-2)	1
4	2144-405305	SHIFTER (DIF.) 3.79- (7.7)	2
5	2104-400401	OIL SEAL 11.6L-1L 16248	2
6	2340-407309	LEVER SC R comp. 11"-SC R comp	2
7	2102-400403	LOCK WASHER 11°×7.75-8	2
8	0304-081000	NUT 8 ナット	2
9	2105-406721	PLUG 7.37" G 21	1
10	2104-400609	COVER 7.75"×7.75 22	1
11	2340-412318	SHAFT SHIFTER 3.79-3.79 Comp	1
12	0460-050250	PIN 5 ピン S	1
13	2104-402009	O-RING 0.417" (P10A)	2
14	2153-409806	PACKING (BRACKET) 11°×2 (7.75")	1
15	2144-408351	BRACKET CH 7.75"×7.75 CH	1
16	0600-015000	STOP RING 1.51×7.5	1
17	2340-412208	SHAFT COMP CH 2.7 COMP	1
18	2152-400200	SPRING (HAWK) 11"×2 (ホ-2)	1
19	0650-050160	STEEL BALL 5/16 スチールボール	1
20	0410-080000	WASHER 8.75"×7.75-S	25
21	0304-082000	NUT 8 ナット	23
22	2154-404404	LOCK NUT 10.75"×7.75-8	1
23	0400-080000	WASHER 8.75"×7.75-	1
24	2340-407101	LEVER BRAKE comp 11"-BK comp	1
25	2135-408308	SHAFT (CAM) 7.44 3.7	1
26	2152-405502	RETURN SPRING 11"×2	1
27	2156-400909	SPRING HANGER 11"×2	1
28	2105-400202	GASKET 7.75"×7.75 8	2
29	2105-400103	PLUG 7.75" 8	2
30	2105-400905	GASKET 7.75"×7.75 14	1
31	2105-400806	PLUG 7.75"×7.75 14	1
32	0177-080302	STUD BOLT 8.25"×1"	8
33	0176-080353	STUD BOLT 8.25"×1"	8
34	0107-080400	BOLT 8 ボルト	2
35	0107-080800	BOLT 8 ボルト	3
36	0107-081200	BOLT 8 ボルト	2
37	2150-413602	2D-取付	1
41	2155-401709	KNOCK PIPE 1.75"×1.75"	2
42	0140-050100	SOCKET BOLT 1/4"×1.75"	1

TRANSMISSION INNER

Item No.	PARTS CODE NO.	PARTS NAME	Q'ty
1	2133-440405	SHAFT A シフト A	1
2	2122-433902	GEAR AB ギヤ AB	1
3	0702-172000	WASHER サカネ	2
4	2104-412309	OIL SEAL 17326 オイルシール17326	1
5	2132-405201	SHAFT B シフト B	1
6	2122-408513	GEAR T33 ギヤ T33	1
7	2129-410601	GEAR G41 ギヤ G41	1
8	2135-400302	SHOE BRAKE シュー、フリ-キ	1
9	0702-172000	WASHER サカネ	2
10	2103-418005	COLLAR カラ- 202554	1
11	2132-405201	SHAFT B シフト B	1
12	2122-425606	GEAR E ギヤ E 32	1
13	2103-417909	COLLAR カラ- 202516.5	1
14	2122-403408	GEAR I15 ギヤ I15	1
15	2103-412102	COLLAR カラ- 20259	2
16	2122-409806	GEAR E ギヤ E 37	1
17	2122-409905	GEAR ギヤ S26	1
18	0702-172000	WASHER サカネ	2
19	2131-409705	SHAFT D シフト D	1
20	2330-417602	GEAR KCOMP. ギヤ K comp	2
21	2152-408602	SPRING SC スプリング SC	2
22	0600-021000	STOP RING ストップリング 21ト×7S	2
23	2129-410700	GEAR J ギヤ J 54	1
24	0610-037000	STOP RING ストップリング 37ト×7H	2
25	2153-409707	PACKING パッキング 110mm×2(カハ"-SC)	2
26	2330-417404	COVER SC COMP. カハ"-SC comp	2
27	2133-659908	SHAFT G シフト G	2
28	2310-449908	SHAFT CASE COMP. シフトケース 2comp	2
29	2153-410114	PACKING(SHAFT CASE) パッキング(シフトケース)	2
30	0501-600600	BALL BEARING ボールベアリング 1.127"	4
31	2104-412408	OIL SEAL オイルシール 16305511	2
32	2156-410704	COVER カハ"-	2
33	2101-410001	STOP RING ストップリング 55ト×7R	2
34	2103-420101	COLLAR カラ- 303517	2
35	2123-415613	GEAR L ギヤ- L47	2
36	2103-417404	COLLAR カラ- 253524	1

FE11BG07

